
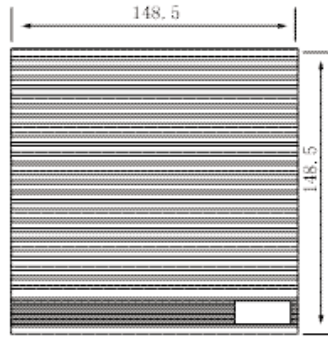
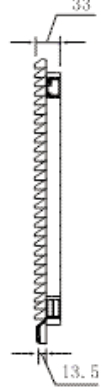
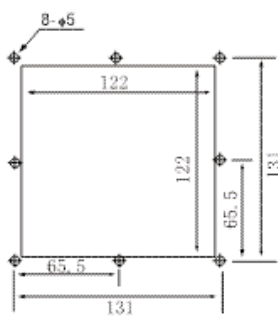

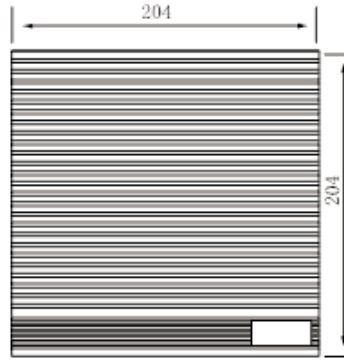
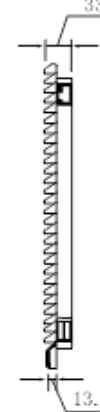
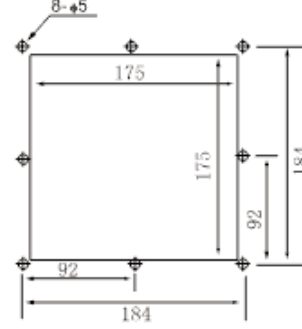
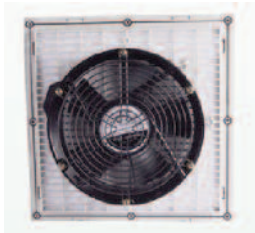
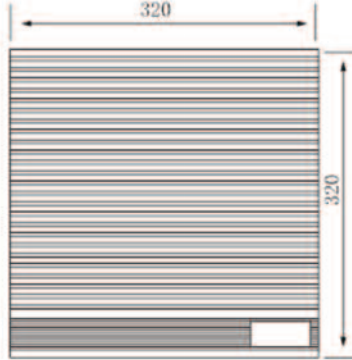
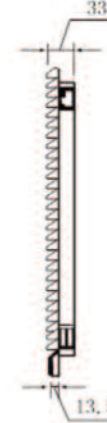
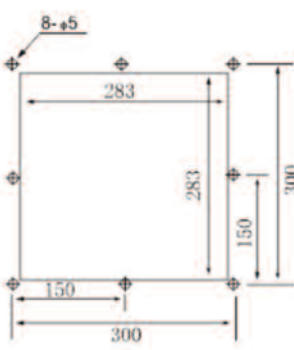


Louvered Fan Guards



Filter Kits for 120mm (4.7"),
172mm (6.7") & 254mm (10") Fans

<p>LFG120B Filter kit for 120mm fan</p> 			
<p>LFG172B Filter kit for 172mm fan</p> 			
<p>LFG254B Filter kit for 254mm fan</p> 			

Part Number	LFG120B	LFG172B	LFG254B	Filter Media 5-Packs	
Frame Description	ABS Resin - flame resistant UL94V-0, Vents with screens at 45-degree angle. Includes high foam sealing edge - protection grade IP44-IP54.			Part Number	Description
Filter Mesh Material	Nylon Fiber - Synthetic Resin, filters to 8 microns.			LFG120BF/PK	For LFG120B
Color	Black is standard. Gray (RAL7035) is available on request. To specify gray remove "B" from part number. Minimums may apply.			LFG172BF/PK	For LFG172B
				LFG254BF/PK	For LFG254B

Information and data is subject to change without prior notification.